

SPECIFICATION

Modular AV and USB charging solutions

MediaHub Mini-Clip range includes sockets for USB charging, AV and data. This modular system is designed to the standard Euro Clip specification with 25mm and 50mm modules and allows you to build a panel to your own specification. Modules simply clip into the 50mm carrier / trim to complete the basic assembly. Alternatively, power sockets can be included by using the extender trim with PowerHub.



- Flush Mounts into wide range of furnishings, millwork, casegoods, and partition walls.
- Range of modules for AV, CAT6 and USB Charging / Pass-Through.
- Standard 25mm and 50mm (Clip-In Euro Modules)
- Choice of module and trim colours
- High Power 2.4A USB module with Smart Charging
- Compatible with PowerHub using the Extender trim. Add power sockets with USB or Ethernet.



SPECIFICATION

Summary of Modules

2 x USB, 25mm

TA-3377-25BK, rubbery black
TA-3377-25WH, rubbery white

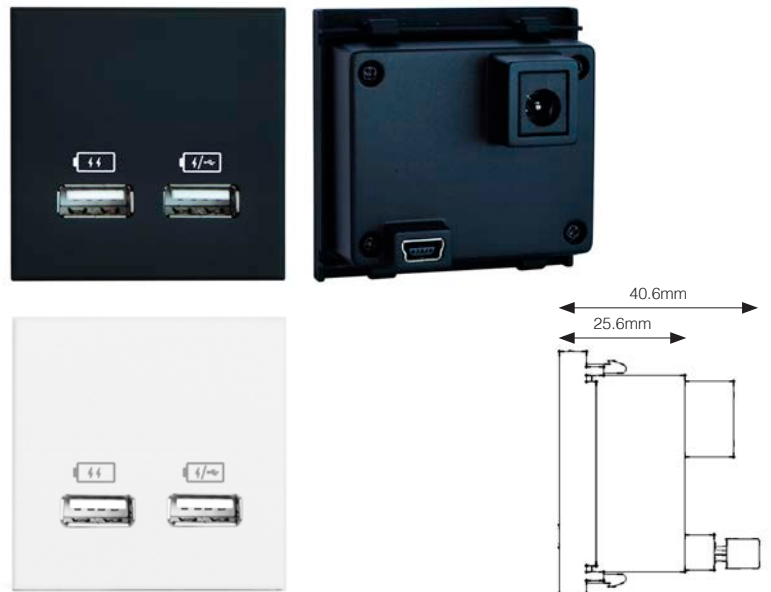
- 25mm 2 x USB
- 1 x 2.4A + 1 x 1A / Data
- External PSU
- Power cable included
- Optional USB cable for data pass-through sold separately



2 x USB, 50mm

TA-3377-50BK, rubber black
TA-3377-50WH, rubbery white

- 50mm 2 x USB
- 1 x 2.4A + 1 x 2.4A / Data
- External PSU
- Smart charging - Automatically optimises charging for mobile devices
- Power cable included
- Optional USB cable for data pass-through sold separately



HDMI, 25mm

TA-3371-25BK, rubbery black
TA-3371-25WH, rubbery white

- 25mm HDMI
- HDMI cable sold separately



3.5mm Audio Jack, 25mm

TA-3372-25BK, rubbery black
TA-3372-25WH, rubbery white

- 25mm Audio Jack(3.5mm)
- Audio cable sold separately



SPECIFICATION

TA-3374-25BK, rubbery black

TA-3374-25WH, rubbery white

- 25mm CAT6
- CAT6 socket on 5" flying lead
- Option to access 110 punch down block



TA-3375-25BK, rubbery black

TA-3375-25WH, rubbery white

- 5mm Blank

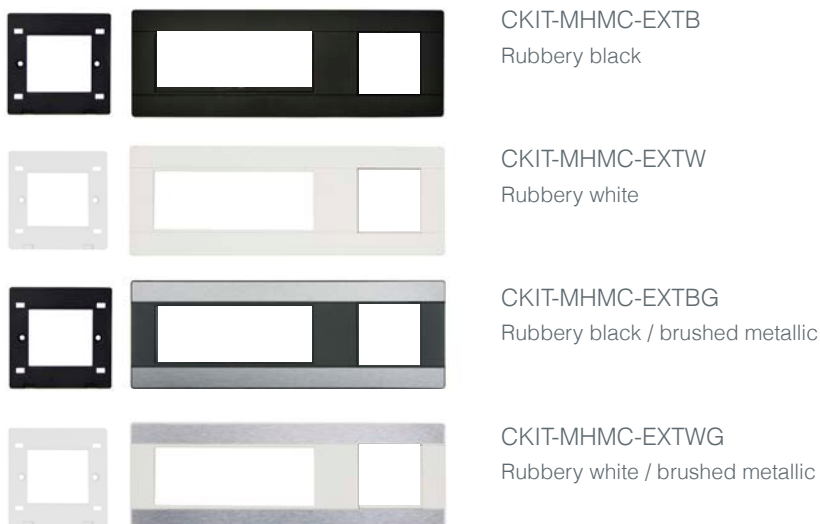


Summary of Trims

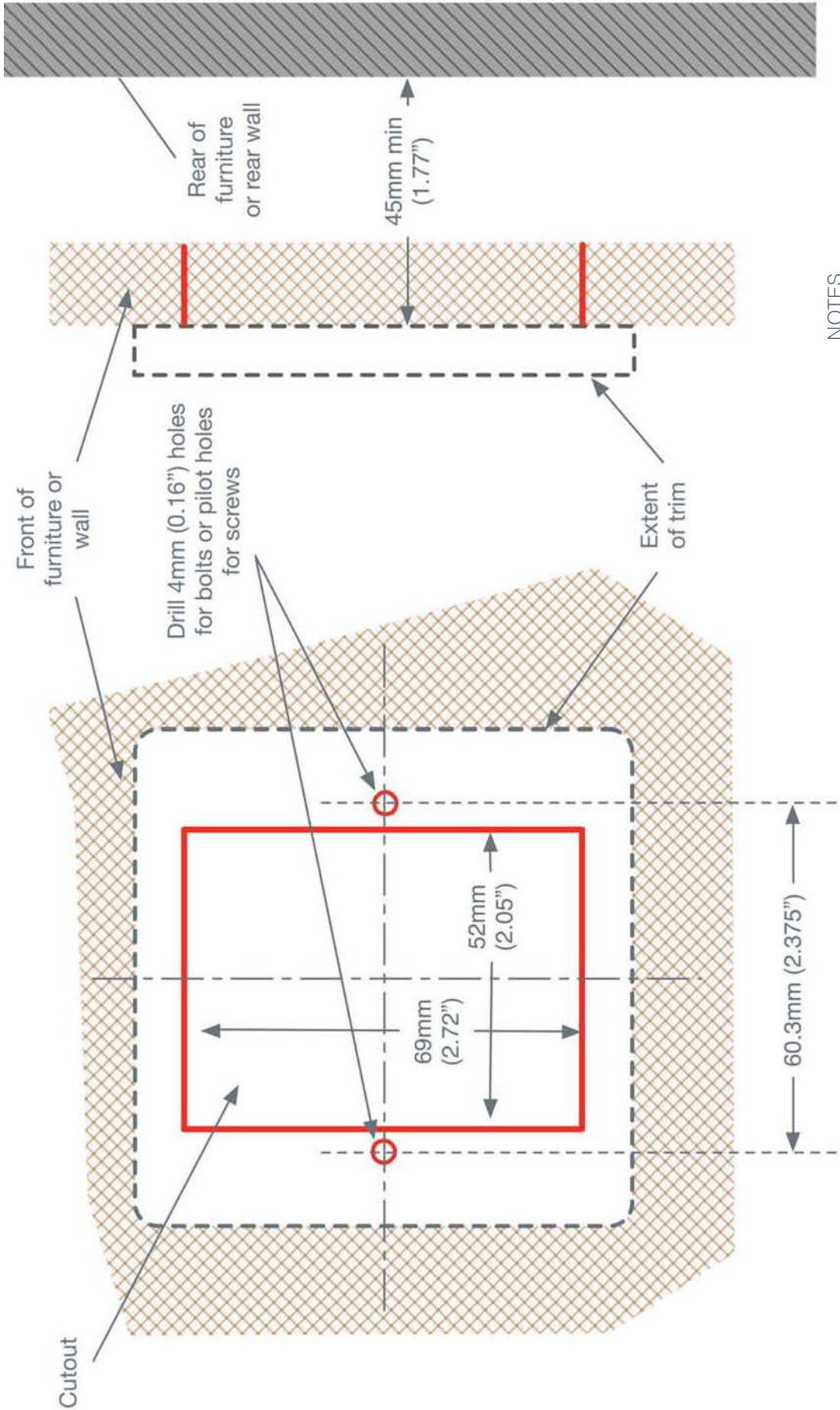
Mini Clip Trim Kit, Trim + Carrier, 50mm module slots.



Mini Clip Extender Trim Kit, Trim + Carrier for PowerHub and 50mm module slots.



SPECIFICATION



NOTES

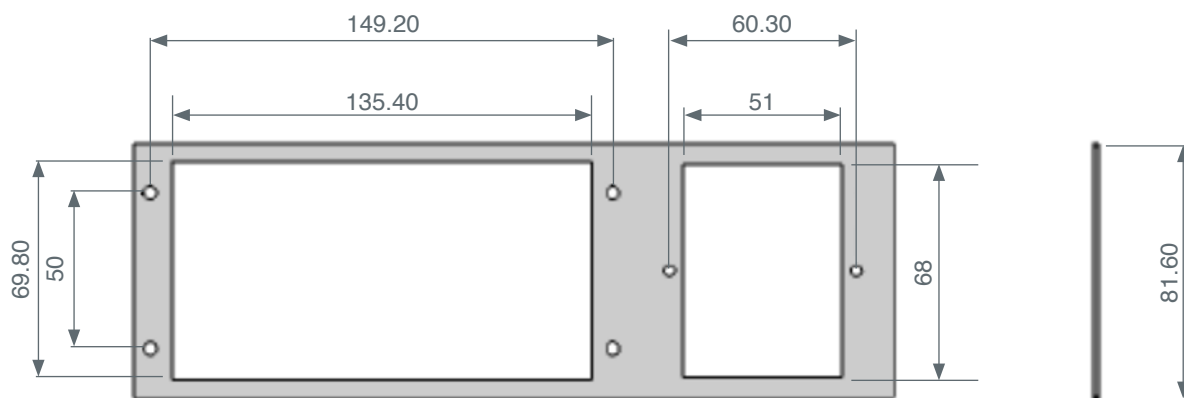
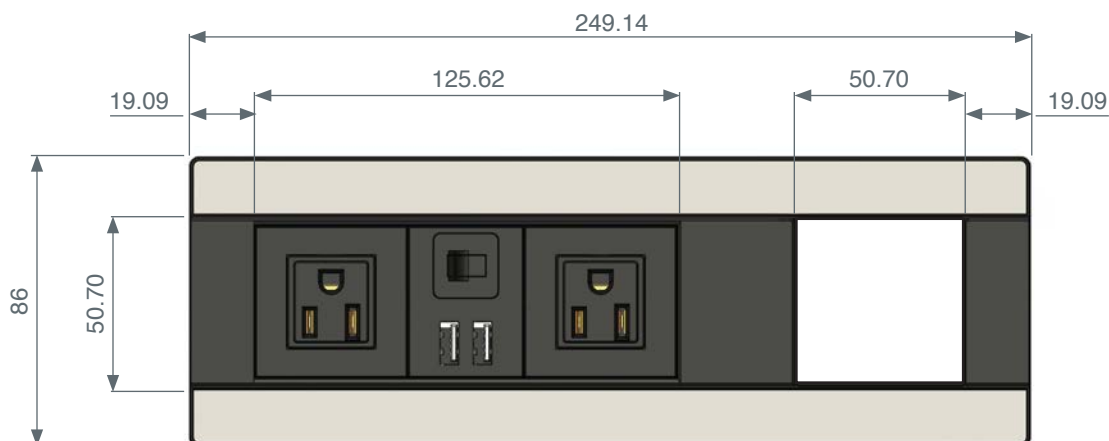
1. Through hole cutout
2. Front of furniture or wall
3. Rear of furniture or rear wall

Furniture Cut Out Template - Single Trim

This drawing is to scale, however, if using as an actual template please check exact size of your print out as output on printers can shift drawing scale.

IMPORTANT NOTE: When installing, to ensure a good fit, always cut and install a single unit before moving forward with the entire installation project.

SPECIFICATION



Extent of trim (approx.), NOT TO SCALE

